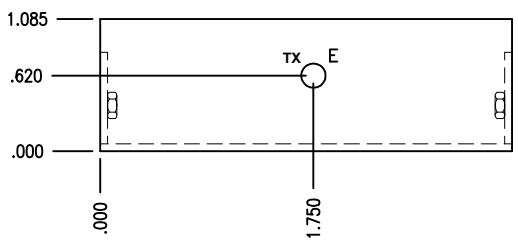
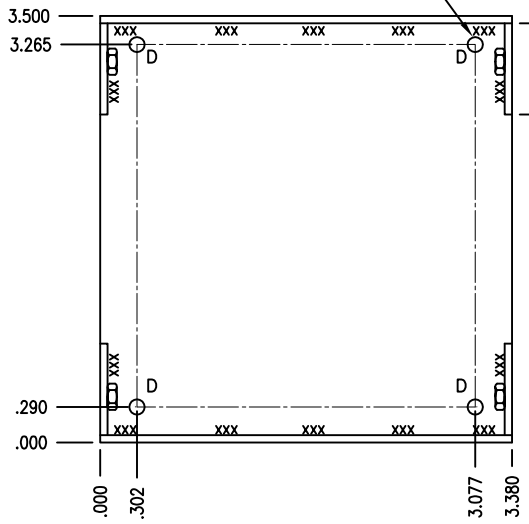
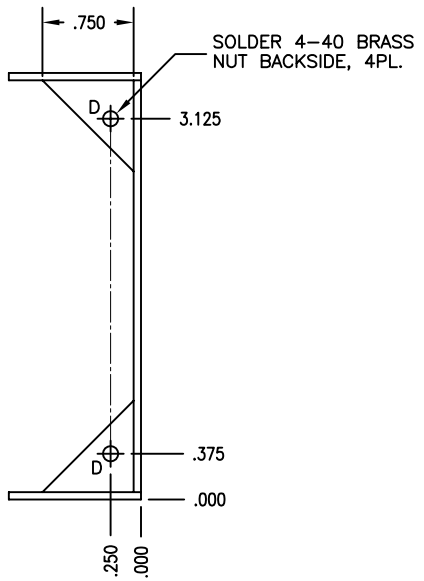


USE 3/16" THK. SPACERS FOR PC BOARD

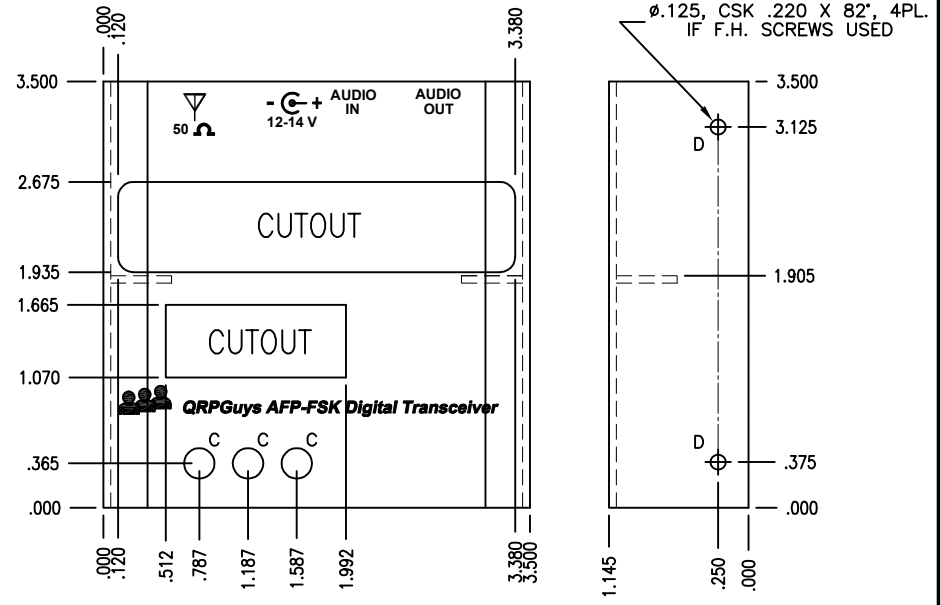


CHASSIS BASE

1PC. - 3.380 X 3.380
 2PCS. - 3.380 X 1.085
 4PCS. .750 X .750 CUT DIAGONALLY



- HOLE LEGEND**
- A - ϕ .500
 - B - ϕ .375
 - C - ϕ .250
 - D - ϕ .125
 - E - ϕ .218



CHASSIS COVER

1PC. - 3.500 X 3.500
 2PCS. - 3.500 X 1.145
 2PCS. - .500 X .500 CUT DIAGONALLY



SCALE PRINTING TO THIS DIMENSION

MATERIAL - 1/16" THK. DOUBLE SIDED FR4 PCB

USE CONSTRUCTION TECHNIQUES DETAILED IN:
https://qrpguys.com/wp-content/uploads/2016/11/pcb_chassis_a.pdf

USE 3/16" LONG SPACERS TO MOUNT TRANSCEIVER PCB
 MOUNT THE TX LED HORIZONTALLY TO PROTRUDE THROUGH FRONT HOLE

UNLESS OTHERWISE SPECIFIED DIMENSIONS ARE IN INCHES TOLERANCES ARE: FRACTIONS DECIMALS ANGLES $\pm 1/32$.XX \pm .015 $\pm 1^\circ$.XXX \pm .005 SURFACE FINISH $\sqrt{\hspace{1cm}}$ BREAK EDGES .005-.020 RADIUS OR CHAMFER				QRPGuys			
TITLE PCB FABRICATED CHASSIS - AFP-FSK V.3 TRANSCEIVER							
DRAWN	WA4MNT	SCALE	FULL	DATE	07/05/21		
SHEET	OF	REF.		DWG.#	DIG-V3		